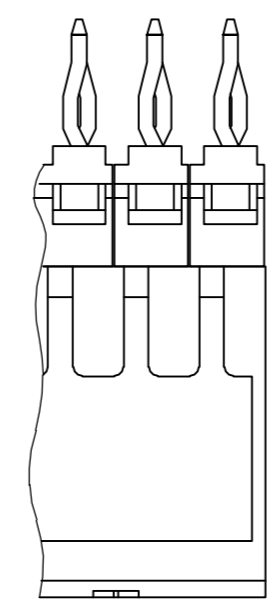
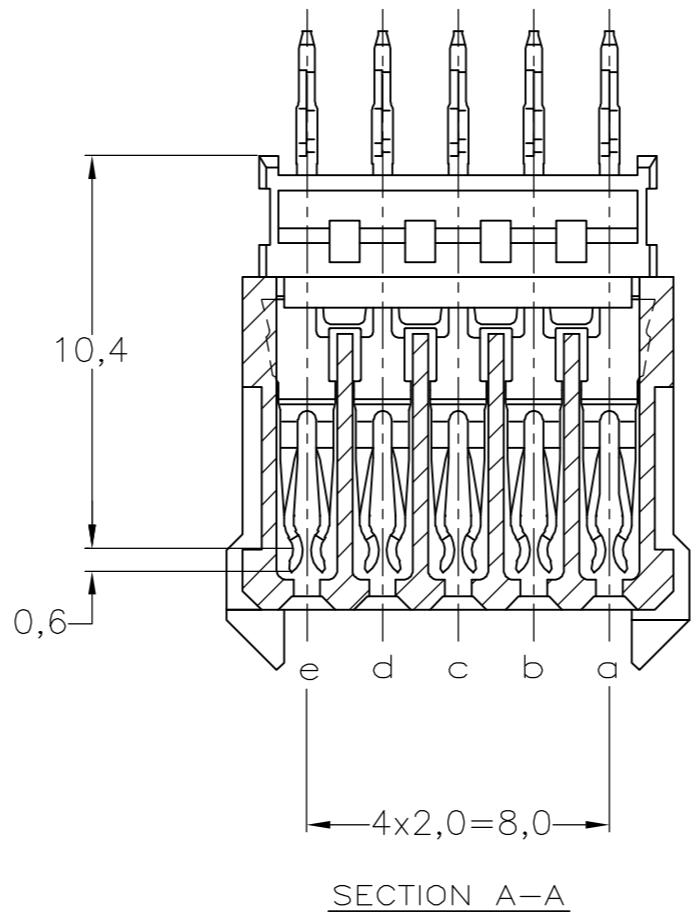
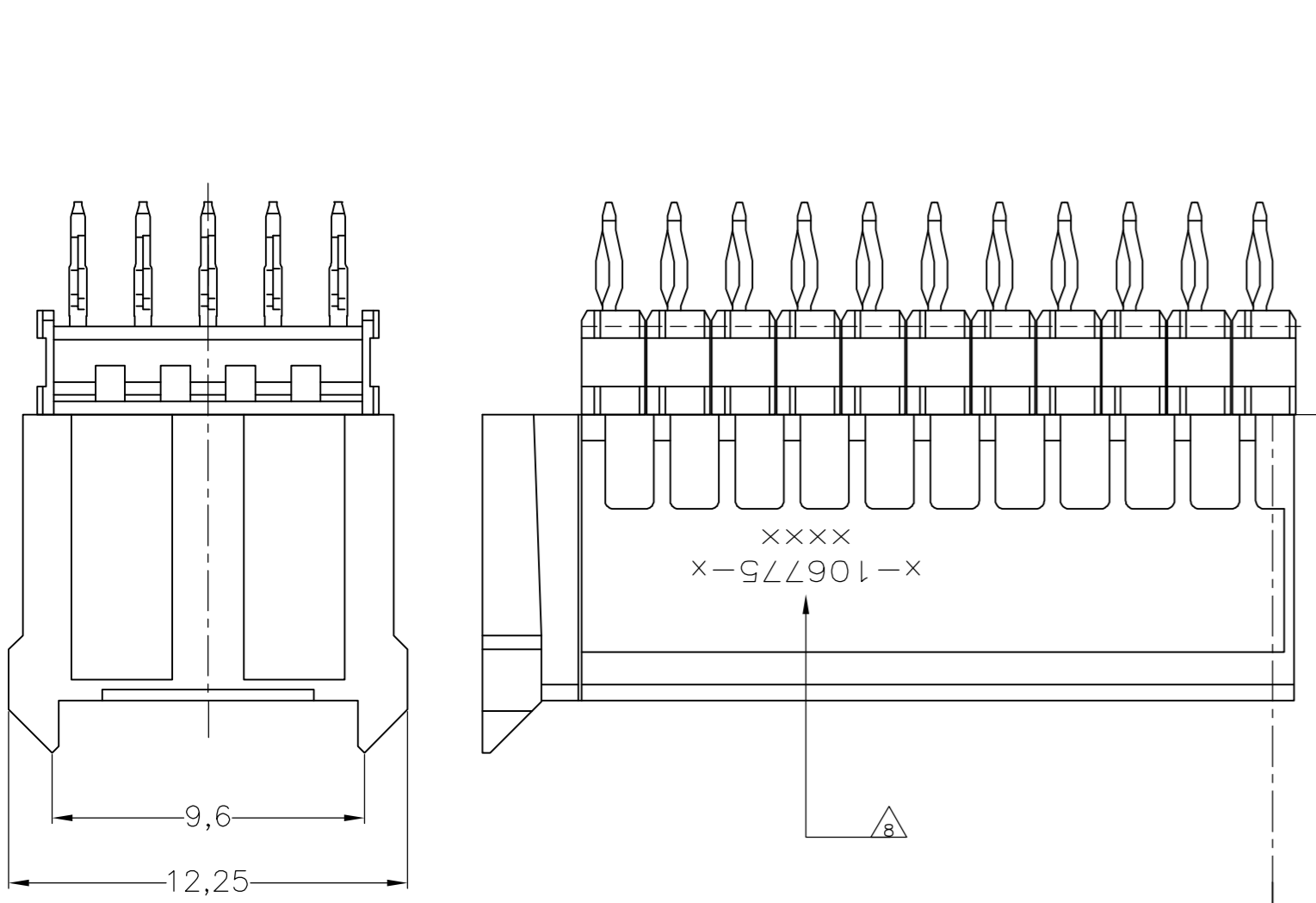
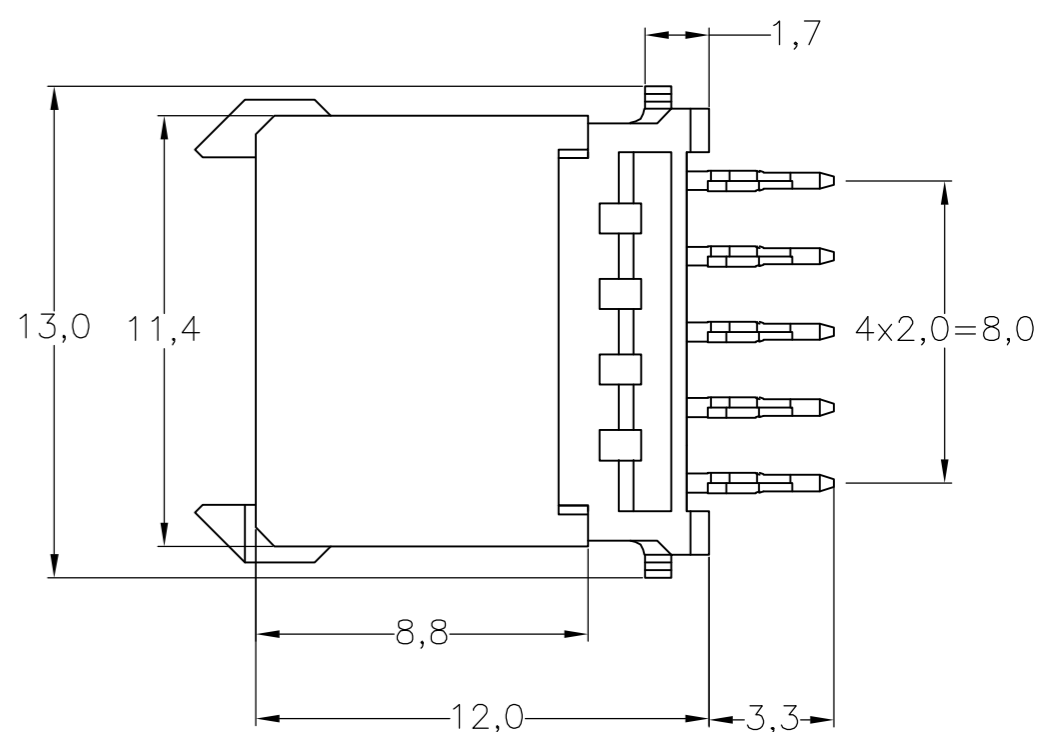
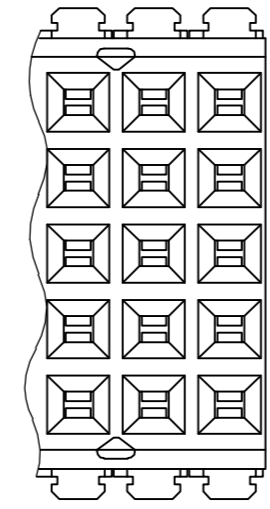
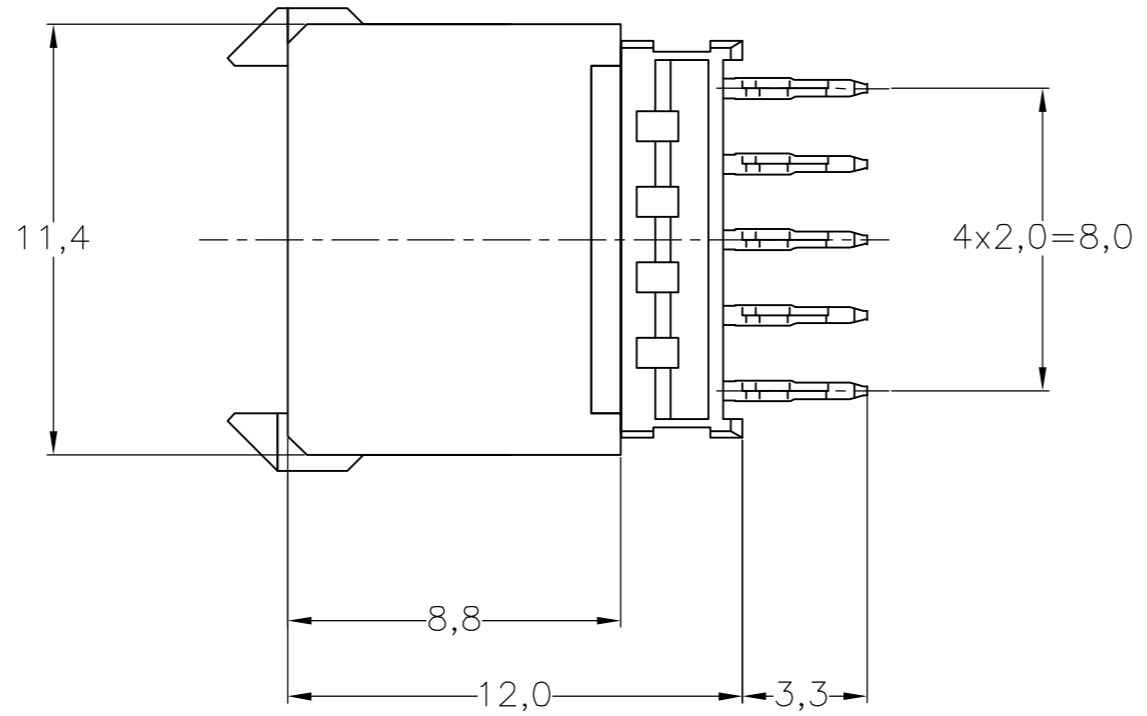
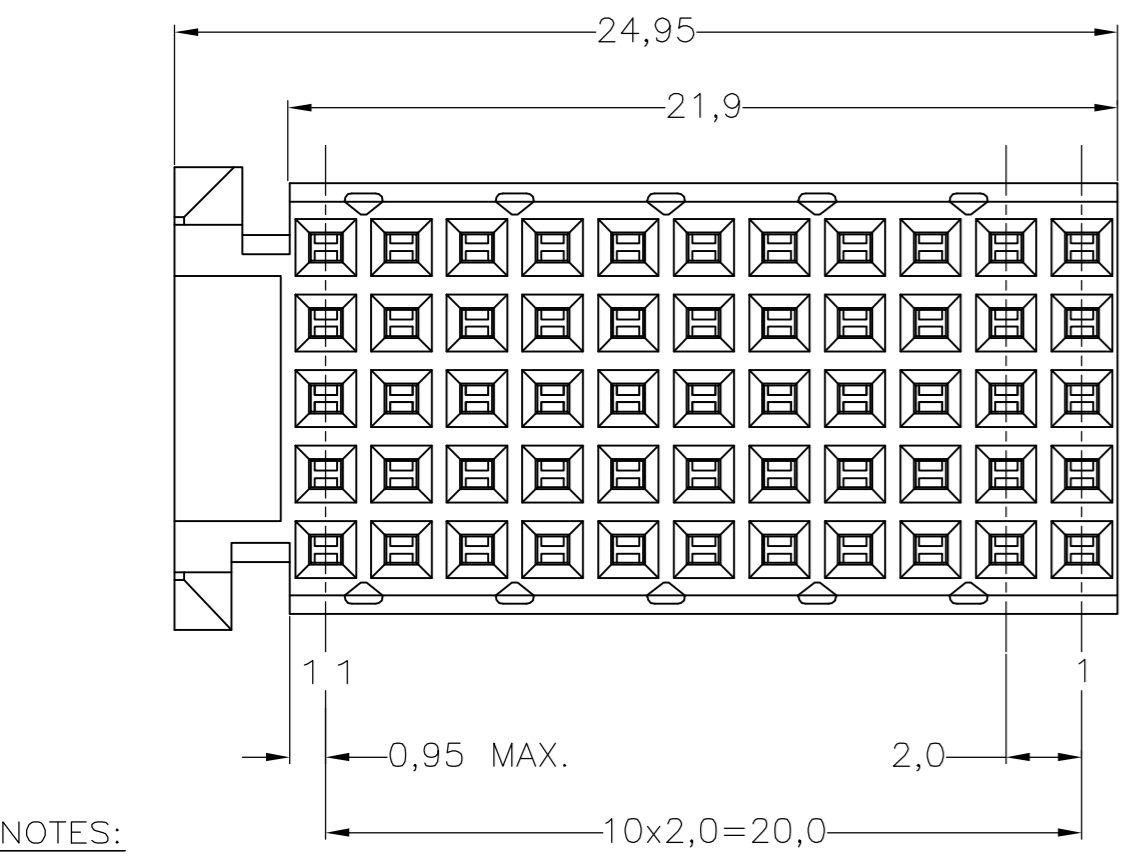


THIS DRAWING IS UNPUBLISHED. RELEASED FOR PUBLICATION
 © COPYRIGHT BY TYCO ELECTRONICS CORPORATION. ALL RIGHTS RESERVED.

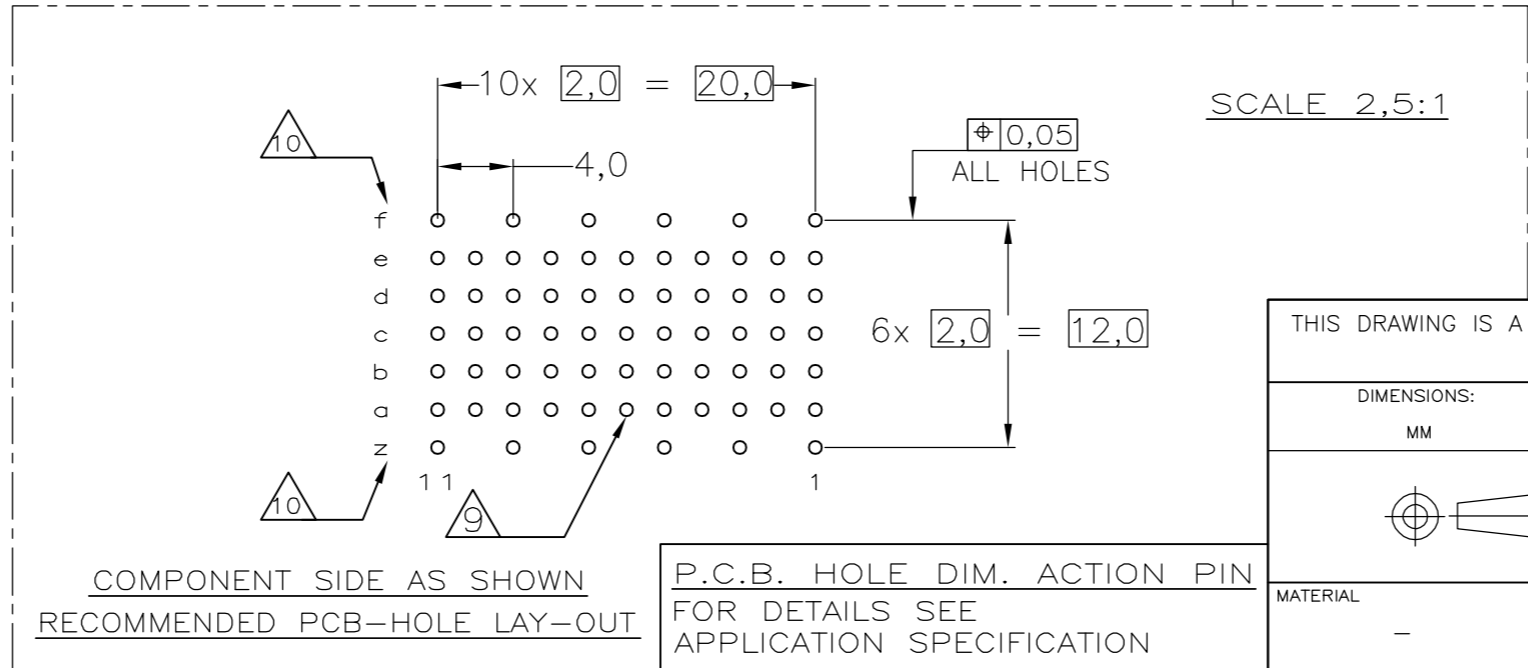
LOC	DIST	REVISIONS					
		P	LTR	DESCRIPTION	DATE	DWN	APVD
H	-	J		EHC0-0195-04	18-05-04	DvdB	BM
		K		EH10-0680-05	31-05-05	BSV	BM
		K1		ECR-06-002635	07-02-06	BSV	BM



ALTERNATE FORM



- NOTES:
- 1 MATERIAL CONTACT: PHOSPHORBRONZE
MATERIAL HOUSING: GLASSFILLED POLYESTER
UL-RATING 94VO (GRAY)
 - 2 GENERAL PLATING SPECIFICATION: UNDERPLATING (ENTIRE CONTACT): 1,27µm NICKEL MIN. AND ACTION PIN: 0,5µm TIN-LEAD MIN.
FOR PLATING OF MATING SURFACES SEE APPLICABLE SPECIFICATION REFERENCE FOR EACH DASH NUMBER.
 - 3 CONFORMS TO ALL TESTING ACCORDING IEC 61076-4-101 PERFORMANCE LEVEL 2.
 - 4 CONFORMS TO ALL TESTING ACCORDING IEC 61076-4-101 PERFORMANCE LEVEL 1.
 - 5 CONNECTOR TESTED AND QUALIFIED AGAINST TELCORDIA GR-1217-CORE QUALITY LEVEL III, CENTRAL OFFICE APPLICATIONS.
 - 6 CONNECTOR TESTED AND QUALIFIED AGAINST TELCORDIA GR-1217-CORE QUALITY LEVEL III, UNCONTROLLED ENVIRONMENT APPLICATIONS.
 - 7 CONNECTOR LUBRICATED WITH TELCORDIA APPROVED LUBRICANT.
 - 8 CONNECTOR PRINTED WITH PARTNUMBER AND DATECODE.
 - 9 PLATED-THROUGH HOLES AT 2x2mm SQUARE GRID (55 HOLES).
 - 10 HOLES IN ROW f AND z FOR POSSIBLE FUTURE USE OF GROUND RETURN SHIELD. (SHIELDS NOT YET TOOLED)



THIS DRAWING IS A CONTROLLED DOCUMENT.

DIMENSIONS:	TOLERANCES UNLESS OTHERWISE SPECIFIED:
MM	0 PLC ± -
	1 PLC ± -
	2 PLC ± -
	3 PLC ± -
	4 PLC ± -
	ANGLES ± -
MATERIAL	FINISH
-	-

FINISH	MATERIAL	PARTNUMBER
2 6	1	1-106775-9
2 5	1	106775-9
2 4	1	106775-4
2 3	1	106775-1

DWN L.V.D.HEIJDEN 14APR97		Tyco Electronics Corporation	
CHK D.TRUREN 14APR97		s-HertogenBosch, Netherlands,	
APVD F.V.KONINGSBRUGGE		NAME	
PRODUCT SPEC 108-19082		Z-PACK 2MM HM TYPE C	
APPLICATION SPEC 114-19029		55 POS. VERTICAL FEMALE	
WEIGHT -		CONNECTOR ASSEMBLY	
SIZE A2	CAGE CODE 00779	DRAWING NO C=106775	RESTRICTED TO -
CUSTOMER DRAWING			SCALE NTS SHEET 1 OF 1 REV K1